

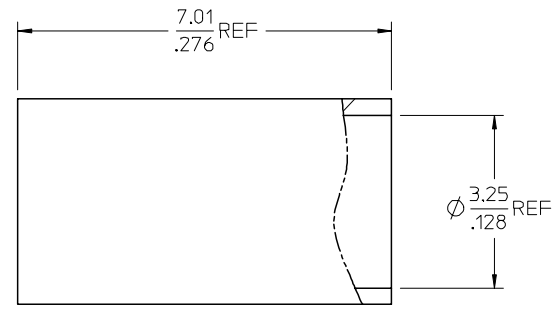
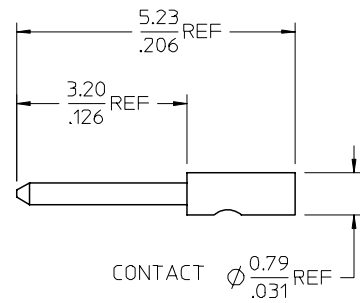
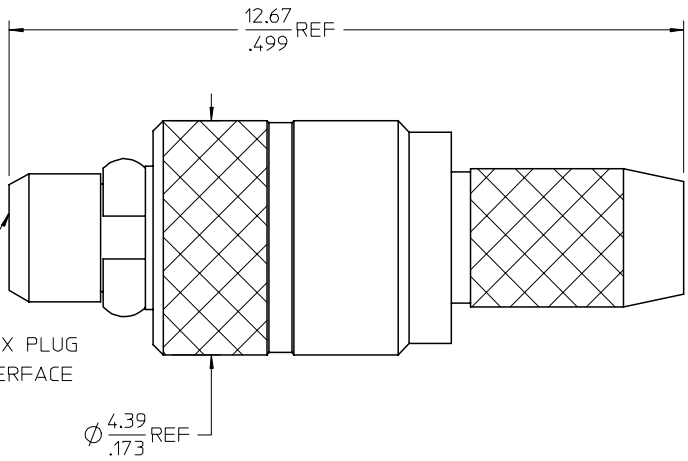
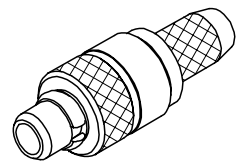
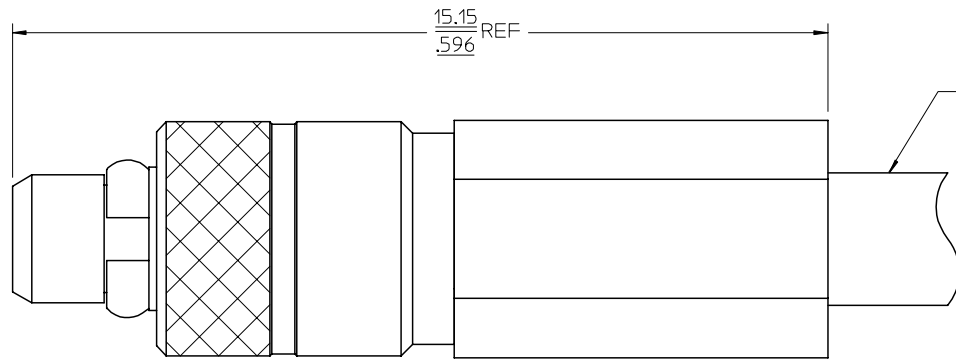
13 12 11 10 9 8 7 6 5 4 3 2 1

MATERIALS AND FINISHES

BODY BRASS
PLATED GOLD

CENTER CONTACT BRASS
PLATED GOLD

INSULATOR TEFLON



AS-89678-2700	CABLE ASSY. INSTR.
ES-73599-0000-0150	INTERFACE
PS-89675-1900	ELECTRO/MECH PERFORM.
SPECIFICATION	DESCRIPTION

73415-1251	PER COMMERCIAL REQUIREMENTS
73415-1250	PER MILARY REQUIREMENTS
PART NO.	PLATING

CHG: UPDATED DEPICTION OF CONTACT AND INSULATOR
 EC. NO: URF2006-0550
 DRAWN:SSHAH 2006/06/07
 CHKD:IFLAHERY 2006/06/07
 APPR:JMLENER 2006/06/07
 A1

QUALITY SYMBOLS
 =0
 =0

GENERAL TOLERANCES (UNLESS SPECIFIED)

	mm	INCH
4 PLACES	± .005	± .0002
3 PLACES	± .004	± .00015
2 PLACES	± .003	± .0001
1 PLACE	± .002	± .00005

 ANGULAR ± 2 °
 DRAFT WHERE APPLICABLE MUST REMAIN WITHIN DIMENSIONS

DIMENSION STYLE MM/IN
 DRAWN BY TEF DATE 2000/06/13
 CHECKED BY SSS DATE 2000/06/13
 APPROVED BY GMH DATE 2000/06/13
 MATERIAL NO. SEE TABLE

SCALE DESIGN UNITS METRIC THIRD ANGLE PROJECTION
 TITLE MMCX PLUG, CABLE RG316 MMCX-PC
 MOLEX INCORPORATED
 DOCUMENT NO. SD-73415-125 SHEET NO. 1 OF 1
 THIS DRAWING CONTAINS INFORMATION THAT IS PROPRIETARY TO MOLEX INCORPORATED AND SHOULD NOT BE USED WITHOUT WRITTEN PERMISSION

12 11 10 9 8 7 6 5 4 3 2 1